

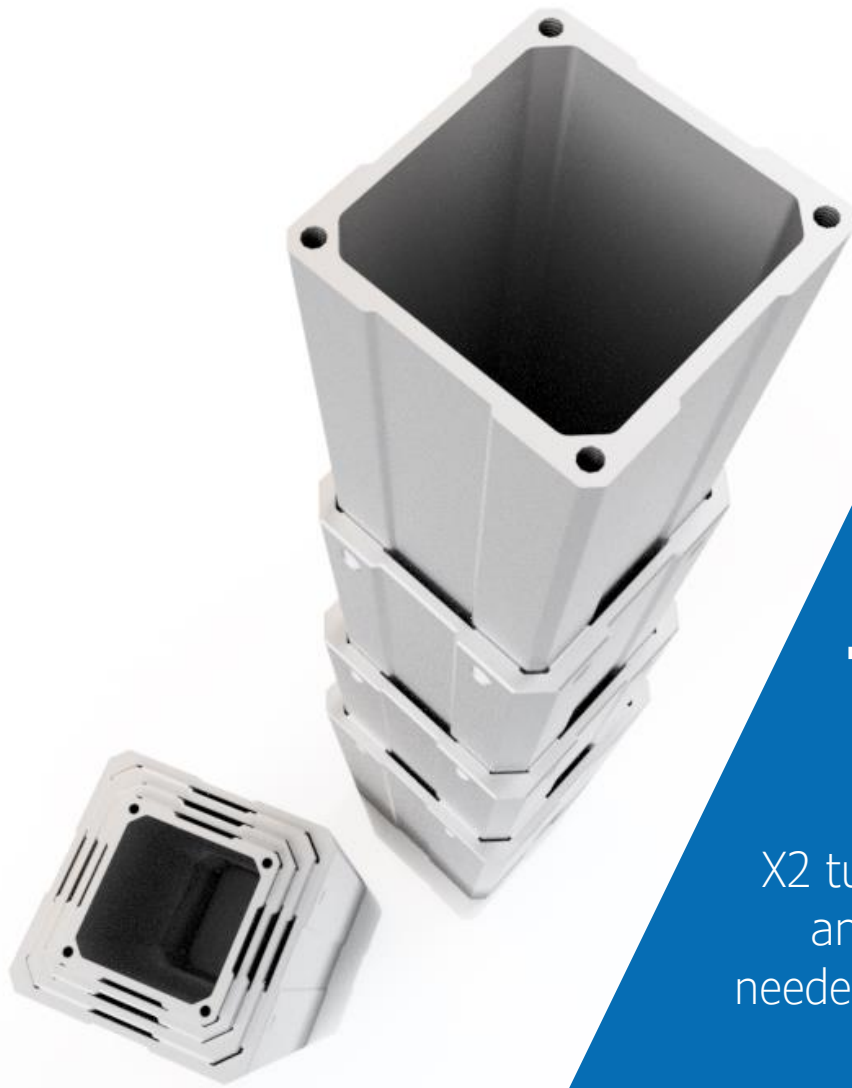
# Product range catalogue



technology<sup>7</sup>

## Tubes





## The Customizer

X2 tubes are used wherever robust and reliable guiding systems are needed to lift medical, ergonomic or industrial equipment. In this catalogue, you can find our standard range of tubes. If you cannot find any that fulfils your needs, we can make a customized solution for you. In fact, most of our supplied lifting tubes are customized.

## Table of content

RANGE OF TUBES	3
COMPARISON	4
A-SERIES	5
B-SERIES	6
E-SERIES	7
F-SERIES	8
G-SERIES	9
X-SERIES	10

## Range of tubes

All our columns are made off stiff aluminium tubes and treated for lowest possible friction. This enables us to mount them with very tight tolerances to achieve maintenance free and smooth run without any play. Our tubes are applicable on the medical, ergonomic and industrial area. Below you can see the standard range with a maximum stroke of 5.000mm.

### A-series

The A-series is our square model that consists of 2 to 6 sections with various sizes. It has a very stable performance and works great with heavy centric and offset loads.

### B-series

The B-series is one of our rectangular models in the middle range that enables a very stable and smooth run even with high offset loads.



A-series



B-series



E-series



F-series

### E-series

E-series is our smallest series. It offers good stability and performance for applications in confined spaces or for lighter loads.

### F-series

F-series is our asymmetric tube which has a softer design yet still the same good qualities that the other tubes have when it comes to performance.

### G-series

G-series lays in the small range of the rectangular models. It is a very robust and reliable tubes and works good with offset loads.

### X-series

The X-series is our top of the range tube and the most robust tube on the market. It performs exceptionally well with extreme offset loads.



G-series

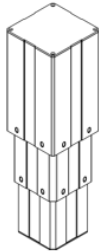


X-series

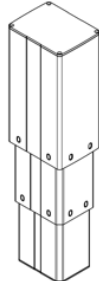
## Comparison



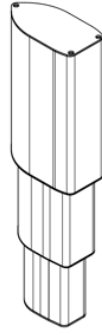
E-series



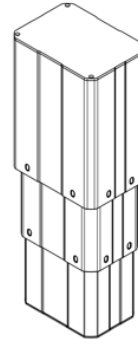
A-series



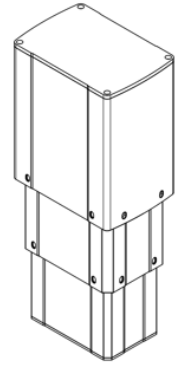
G-series



F-series



B-series



X-series

Dimensions	Tube 1	Tube 2	Tube 3	Tube 4	Tube 5	Tube 6
Serie A	163x163 mm	146x146 mm	129x129 mm	113x113 mm	96x96 mm	83x83 mm
Serie B	219,20x157,19 mm	205,90x143,90 mm	192,00x130,00 mm	x	x	x
Serie E	133,61x103,00 mm	115,76x85,00 mm	x	x	x	x
Serie F	187,7x98,00 mm	154,35x83,00 mm	125,00x66,00 mm	x	x	x
Serie G	163,00x127,00 mm	147,70x114,70 mm	135,40x102,40 mm	x	x	x
Serie X	260x180 mm	230,60x159,30 mm	210,60x139,30 mm	x	x	x

## A-series



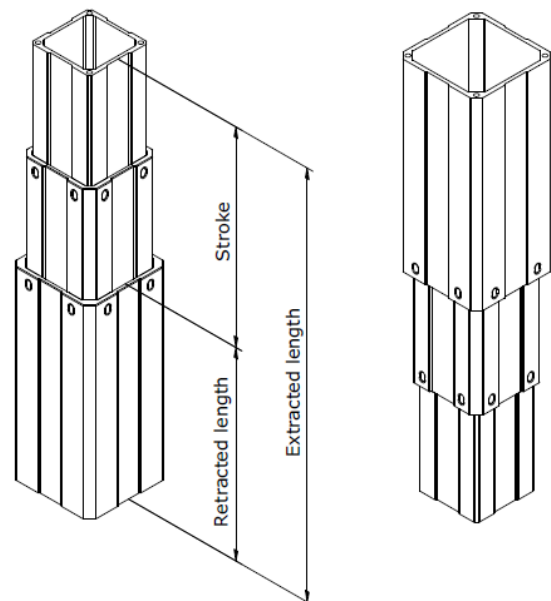
### Features

Very robust  
Great offset load capacity  
Long stroke  
Long lifetime  
Extremely low friction

### Options

Outer tube on top/bottom  
From 2 to 6 sections  
With or without top/bottom plates  
Customized

Tube	Dimensions (mm)	Weight (kg/m)
1	163x163	11,4
2	146x146	9,3
3	129x129	8,3
4	113x113	6,1
5	96x96	5,2
6	83x83	4,1



## B-series



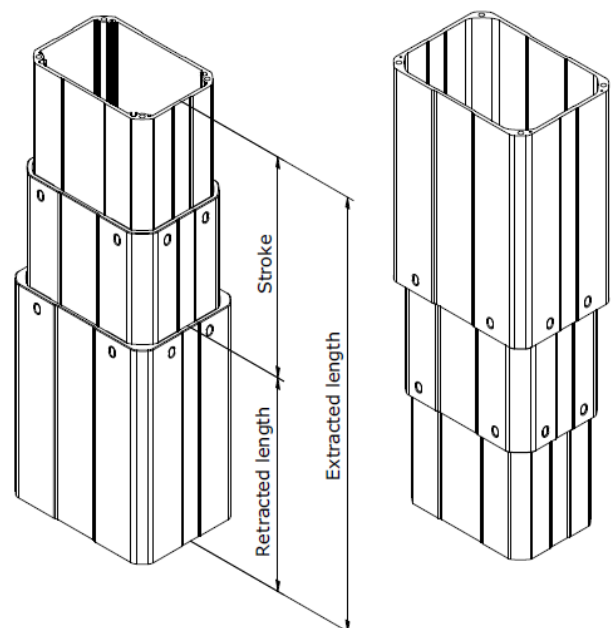
### Features

Very stable  
Great offset load capacity  
Long lifetime  
Extremely low friction  
Low noise level

### Options

Outer tube on top/bottom  
From 2 to 3 sections  
With or without top/bottom plates  
Customized

Tube	Dimensions (mm)	Weight (kg/m)
1	219,20x157,19	11
2	205,90x143,90	8,8
3	192,00x130,00	8,9





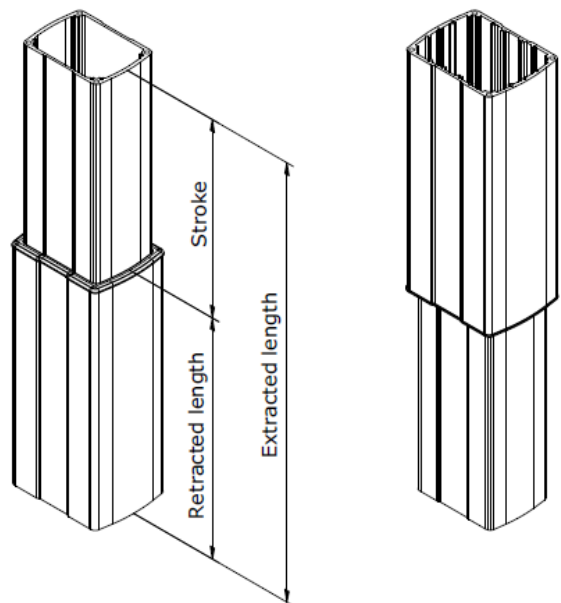
**Features**

Very stable  
 2 sections  
 Long lifetime  
 Extremely low friction  
 Small

**Options**

With or without top/bottom plates  
 Outer tube on top/bottom  
 Customized

Tube	Dimensions (mm)	Weight (kg/m)
1	133,61x103,00	5,4
2	115,76x85,00	4,2





## F-series



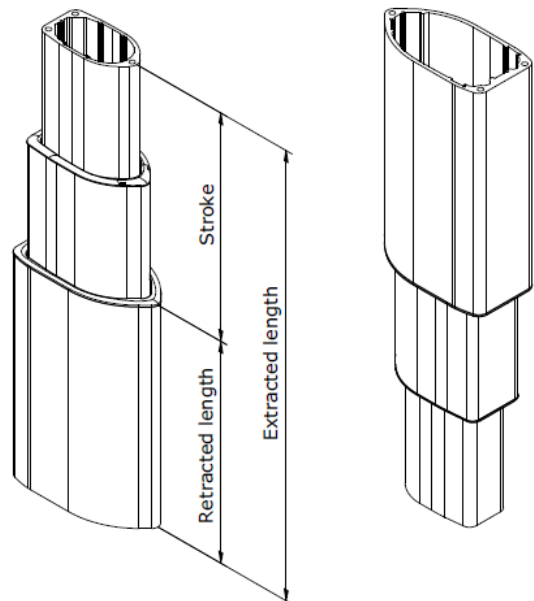
### Features

Asymmetric design  
Long lifetime  
Extremely low friction

### Options

Outer tube on top/bottom  
From 2 to 3 sections  
With or without top/bottom plates  
Customized

Tube	Dimensions (mm)	Weight (kg/m)
1	187,7x98,00	8,5
2	154,35x83,00	6,5
3	125,00x66,00	5,2





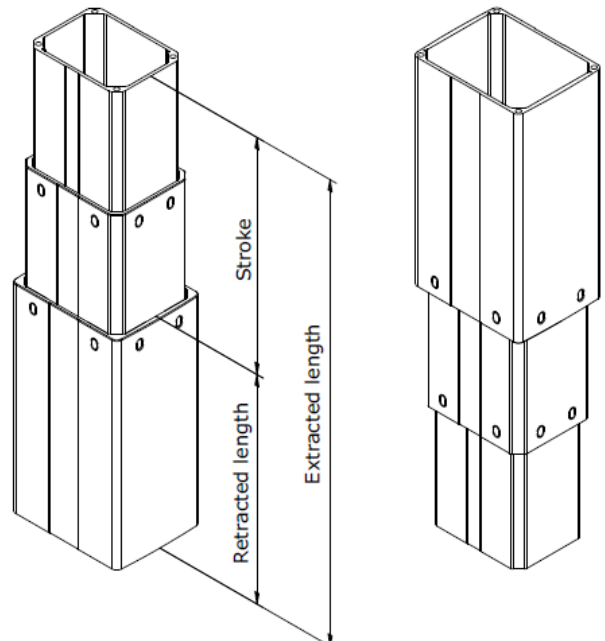
**Features**

Very robust  
 Good offset load capacity  
 Long lifetime  
 Extremely low friction  
 Small size

**Options**

Outer tube on top/bottom  
 From 2 to 3 sections  
 With or without top/bottom plates  
 Customized

Tube	Dimensions (mm)	Weight (kg/m)
1	163,00x127,00	8
2	147,70x114,70	6,1
3	135,40x102,40	6,0





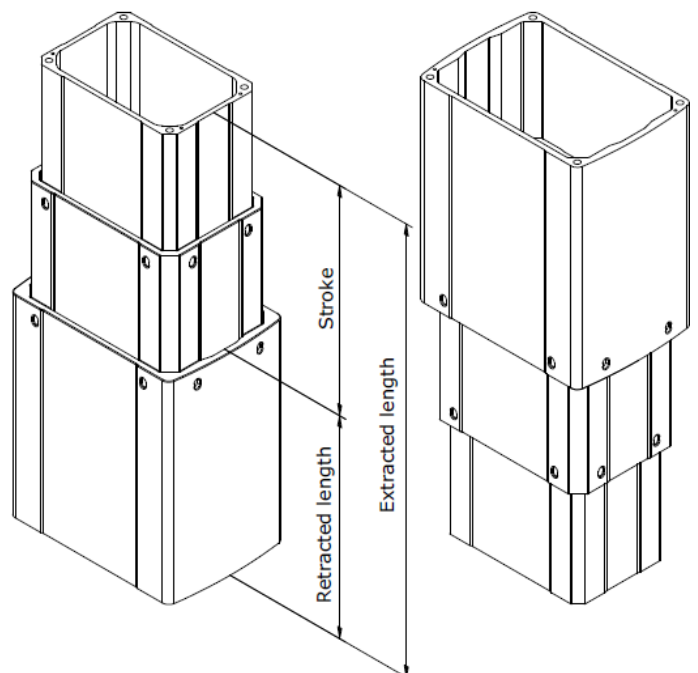
**Features**

- Extremely robust
- Extreme offset load capacity
- Long lifetime
- Extremely low friction

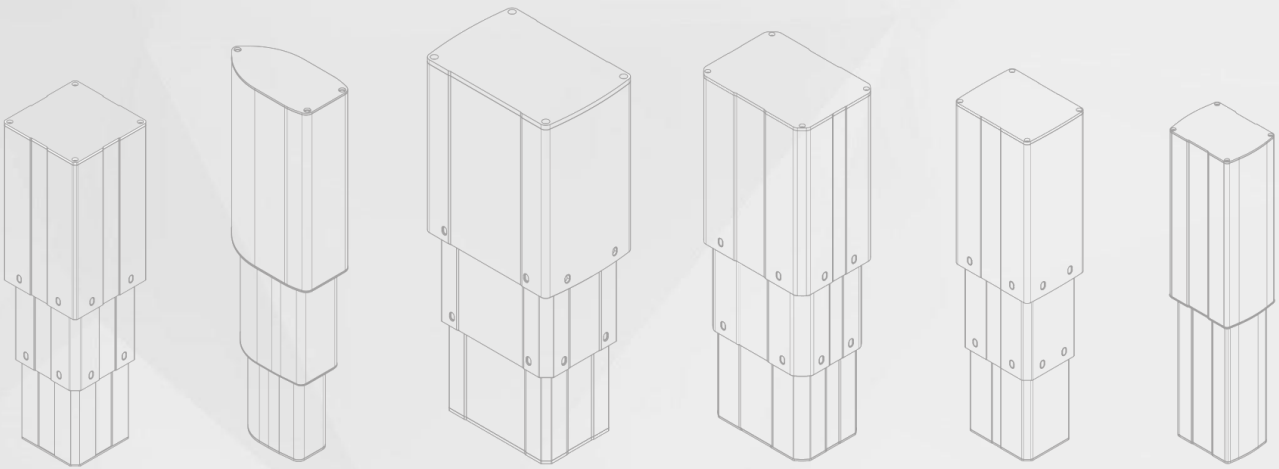
**Options**

- Outer tube on top/bottom
- From 2 to 3 sections
- With or without top/bottom plates
- Customized

Tube	Dimensions (mm)	Weight (kg/m)
1	260,00x180,00	20,1
2	230,60x159,30	14,7
3	210,60x139,30	14,3



# X2 Technology – The Customizer



## About us

X2 Technology is a Swedish company that manufactures top range lifting columns to the medical, ergonomic and industrial market. Our biggest strength lays in our exceptional experience of guided aluminum profiles. The experience enables us to develop and design innovative products in close cooperation with our customers to meet individual requirements. With our flexible manufacturing techniques, we can produce both small and big quantities of customized products.

*Before use of products, see general terms & conditions and operating manuals. Lifetime and suitability are depending on application and must therefore be tested by each user. Specifications subject to change without prior notice. All components in this datasheet are property of X2 Technology and may therefore not be used without permission.*  
Copyright © X2 Technology 2021.04.



**X2 Technology AB**



**+46 470 717950**



**info@x2technology.se**



**www.x2technology.se**