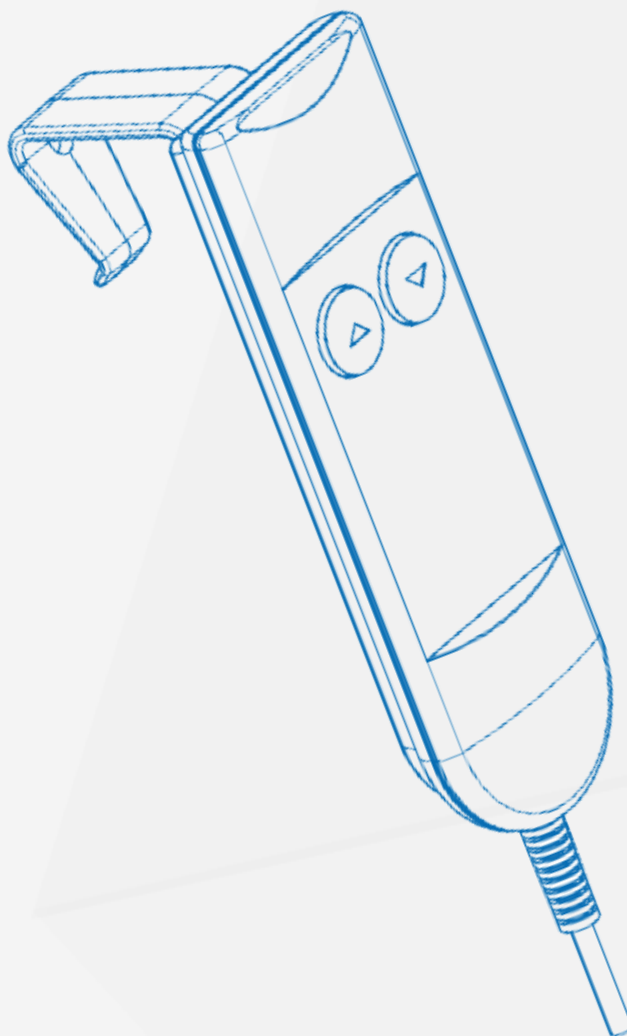


Accessories



technology⁷

Controllers



Foot controller

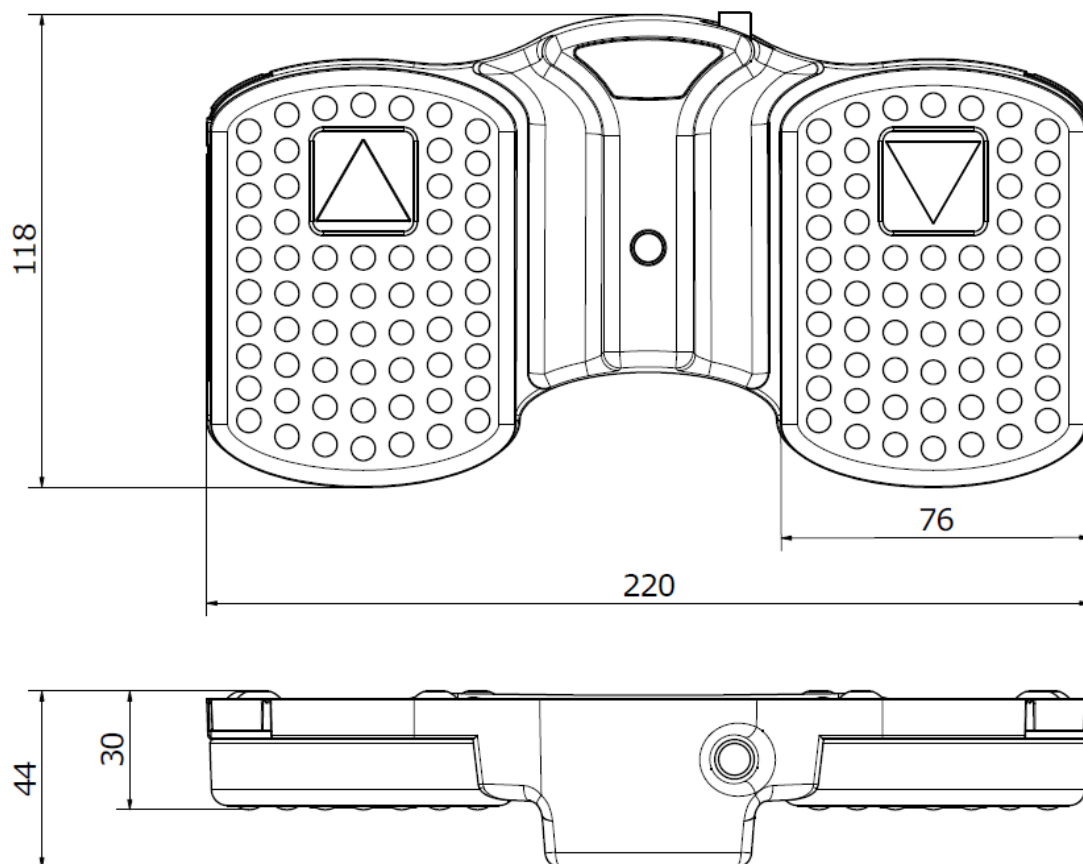
| | |
|--------------|----------------------|
| Product name | Foot Switch |
| Type | Foot controller |
| Dimensions | 220mm x 118mm x 44mm |
| Cable length | 1,82 m |
| Connector | 7 pin DIN 45329 Male |



Description

Two pedal foot controller with non-slip surface. Compatible with X2's range of control boxes.

Technical drawing



Hand controller with hook

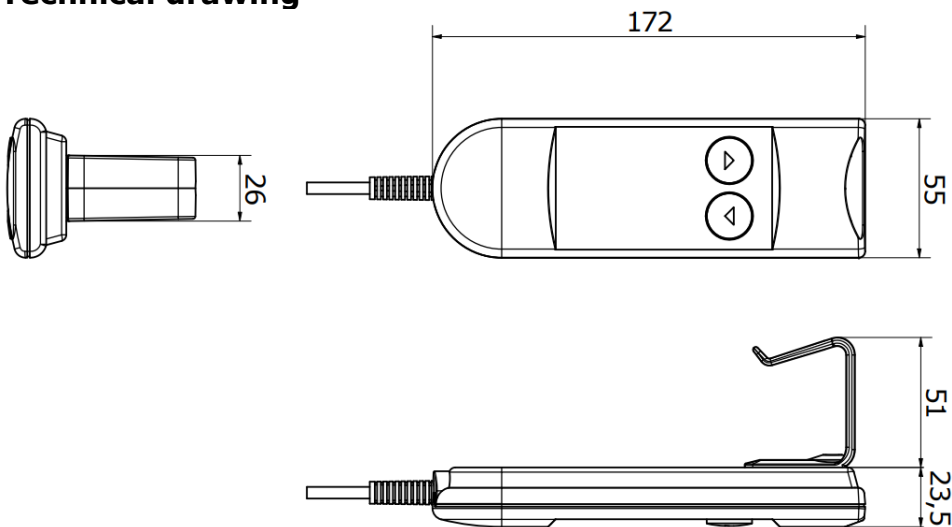
| | |
|-------------------------|-----------------------|
| Product name | Proline |
| Type | Hand controller |
| Dimensions (excl. hook) | 172mm x 55mm x 23,5mm |
| Cable length | 1,82 m |
| Connector | 7 pin DIN 45329 Male |



Description

Hand controller with hook and two buttons. Compatible with X2's range of control boxes.

Technical drawing



Mountable controller with memory

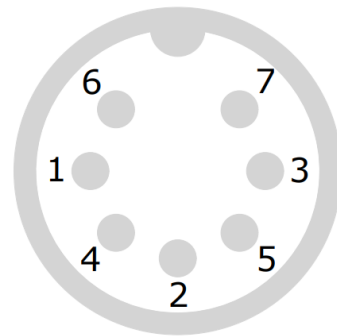
| | |
|-----------------------------|----------------------|
| Product name | HSU |
| Type | Mountable controller |
| Supply voltage | 5VDC \pm 10% |
| Average current consumption | 75 mA |
| Dimensions | 136mm x 70mm x 25mm |
| Cable length | 2 m \pm 0,05 m |
| Connector | 7 pin DIN 45329 Male |



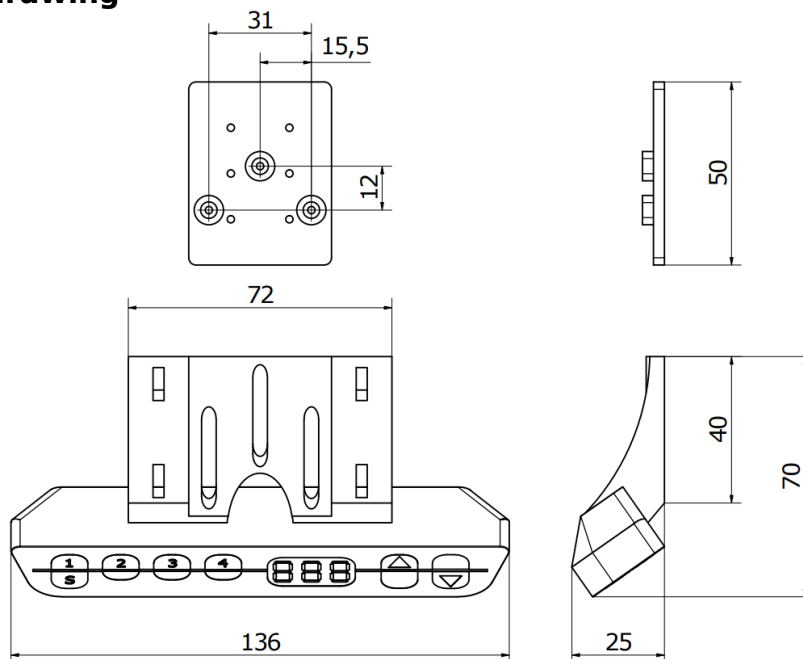
Description

Mountable controller with display and four memory buttons. Compatible with the Compact-3 control box. Mounting bracket with three screws included. Capable of showing error codes.

| Connector | Function |
|-----------|---------------|
| 1 | HS1 |
| 2 | HS3 |
| 3 | Not connected |
| 4 | HS2 |
| 5 | HS4 |
| 6 | \pm 5V |
| 7 | SER_OUT |
| Shell | GND |



Technical drawing



Mountable controller

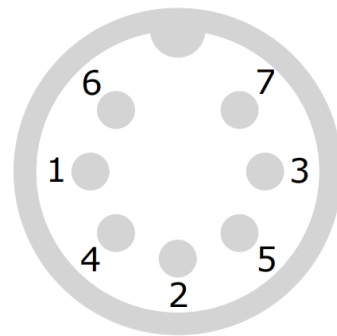
| | |
|-------------------|-----------------------|
| Product name | HSX |
| Type | Mountable controller |
| Operating voltage | 5 V |
| Switching load | 100 ma / 50V DC |
| Dimensions | 55 mm x 60 mm x 22 mm |
| Cable length | 1,66 m |
| Connector | 7 pin DIN 45329 Male |



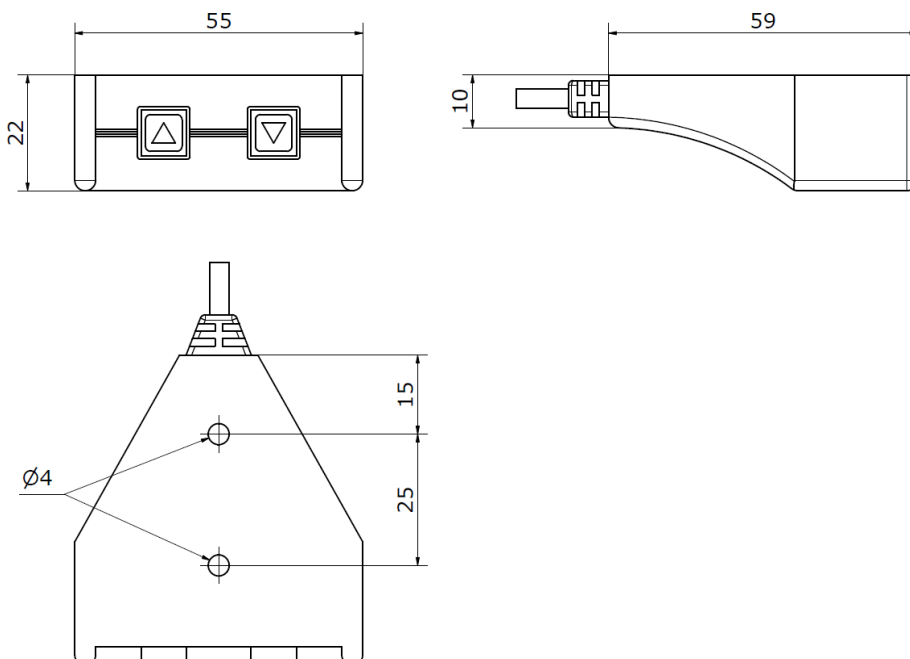
Description

Easy to mount controller with two buttons. Compatible with X2's range of control boxes. Two screws included.

| Connector | Function |
|-----------|---------------|
| 1 | Not connected |
| 2 | Not connected |
| 3 | HS1 |
| 4 | Not connected |
| 5 | HS2 |
| 6 | Not connected |
| 7 | ±5V |
| Shell | Not connected |



Technical drawing



Remote controller

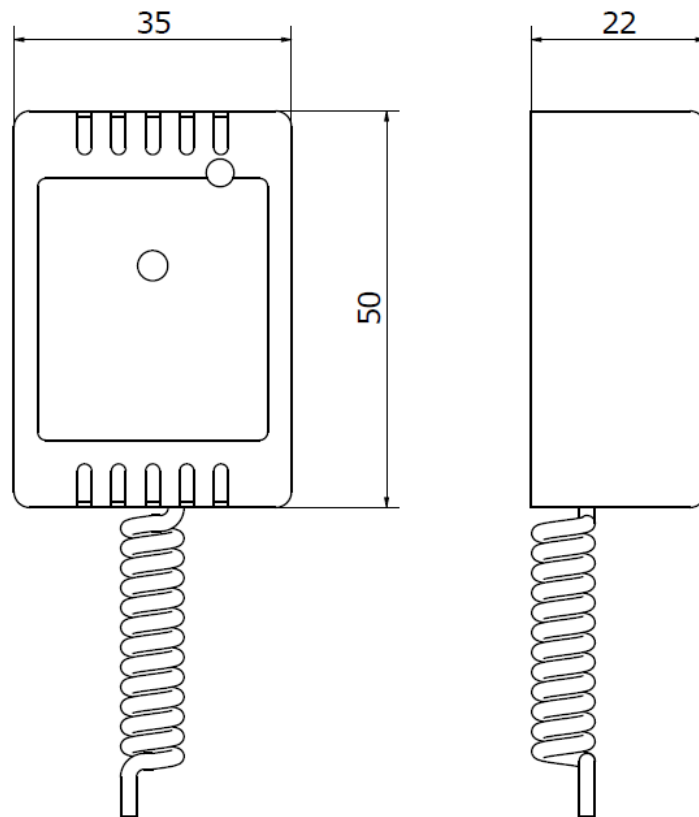
| | |
|-----------------------|----------------------|
| Product name | RF Remote |
| Type | Remote controller |
| Dimensions (receiver) | 50mm x 35mm x 22mm |
| Cable length | 0,44 m |
| Connector | 7 pin DIN 45329 Male |
| Remote batteries | 2x CR2016 Lithium 3V |



Description

Wireless remote controller with two buttons. Comes with receiver which is compatible with X2's range of control boxes. Batteries included inside remote controller.

Technical drawing



Cables for controllers

Extension cable

| | |
|--------------|------------------------|
| Product name | ACS-CBL-HS |
| Length | 1 m |
| Connector A | 7 pin DIN 45329 Male |
| Connector B | 7 pin DIN 45329 Female |



Split cable

| | |
|--------------|------------------------|
| Product name | LOG-CBL-HSY |
| Length | 0,2 m |
| Connector A | 7 pin DIN 45329 Male |
| Connector B | 7 pin DIN 45329 Female |
| Connector C | 7 pin DIN 45329 Female |



X2 Technology – The Customizer

Before use of products, see general terms & conditions and operating manuals. Lifetime and suitability are depending on application and must therefore be tested by each user. Specifications subject to change without prior notice. All components in this datasheet are property of X2 Technology and may therefore not be used without permission.

Copyright © X2 Technology 2021.04.



technology

X2 Technology AB



+46 470 717950



info@x2technology.se



www.x2technology.se



Made in Sweden