

# Lifting column Xtreme – Telescopic

## Features:

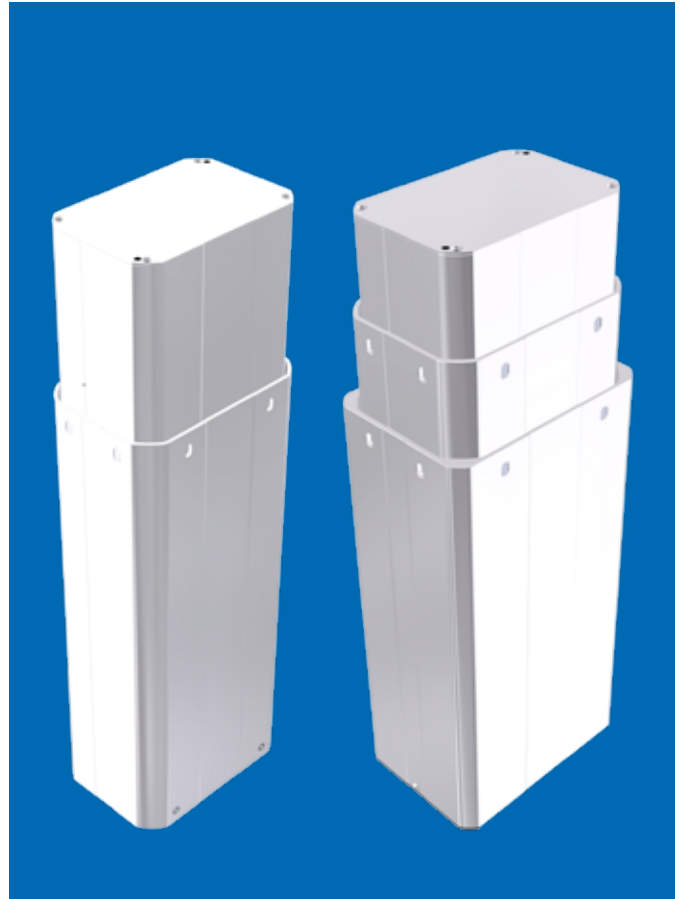
Xtremely stiff  
Short retracted length  
Safety factor >4  
Limit switches  
Safety nut

## Options:

Encoder  
Pull  
Customized

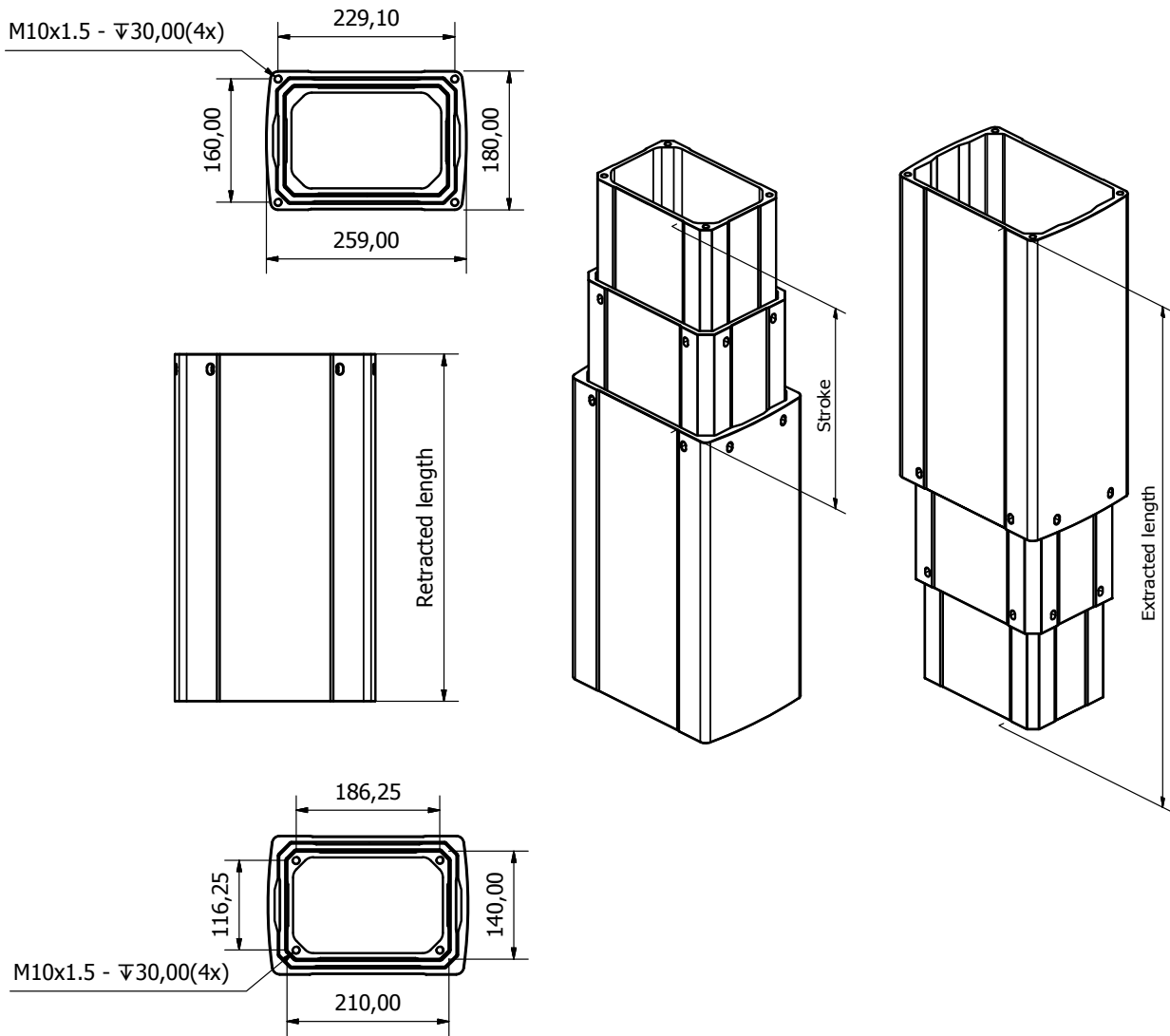
## Description:

Lifting column Xtreme is designed for medical, ergonomic and industrial application. Xtreme is built on Xtreme stiff aluminium tubes and long life pads, combined with a very tight tolerance assembly – where others squeeze – we fit. The columns perform a Xtreme stable, reliable and maintenance free guiding system without any play. Xtreme is available in push or pull version. As an option you can get Xtreme with encoder for positioning or parallel run of 2 columns. If you don't find a column in above standard range we can customize for you.



Technical data	DX-XE	DX-XB	DX-XA
Force* (push or pull) max	2000N	3500	5000
Speed, 0-max load; mm/s	40-32	24-16	20-13
Stroke	From 200 mm up to 500 mm		
Retracted length, 3-section	3-sections = stroke x 0,5 + 200mm		
Voltage	24VDC		
Current, 0 to max load	2-13A depending on load		
Duty cycle, on / off	1 min on / 9 min off		
Ambient temperature	+10 / +40 °C		
Degree of protection	IP30		

\* See offset load diagram on next page



### Offset load diagram 3-sections column

(load placed along long side of tubes)

