

# Lifting column Xtreme

## Features:

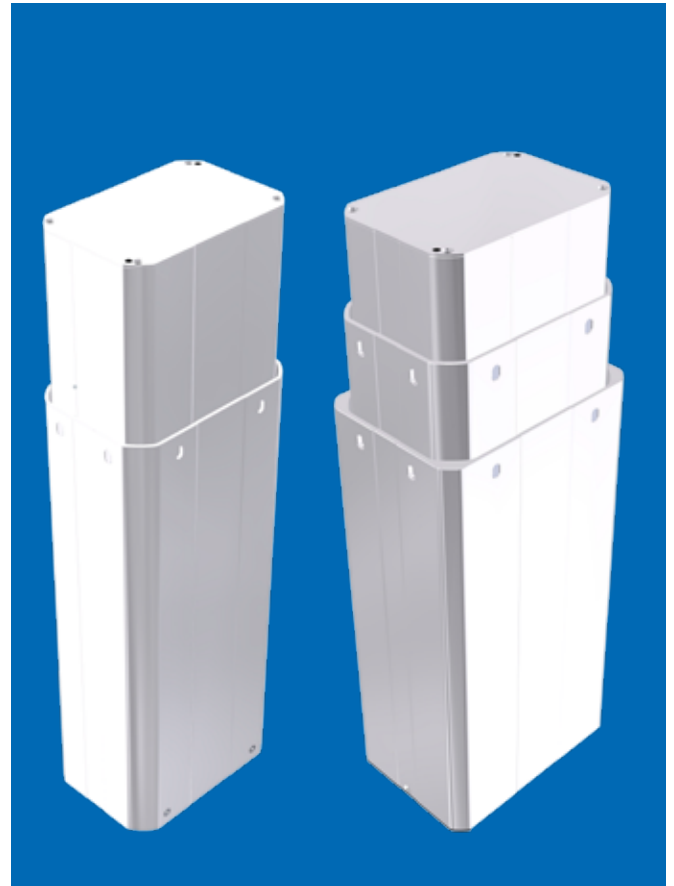
Xtremely stiff  
Short retracted length  
Safety factor >4  
Limit switches  
Safety nut

## Options:

Encoder  
Pull  
Customized

## Description:

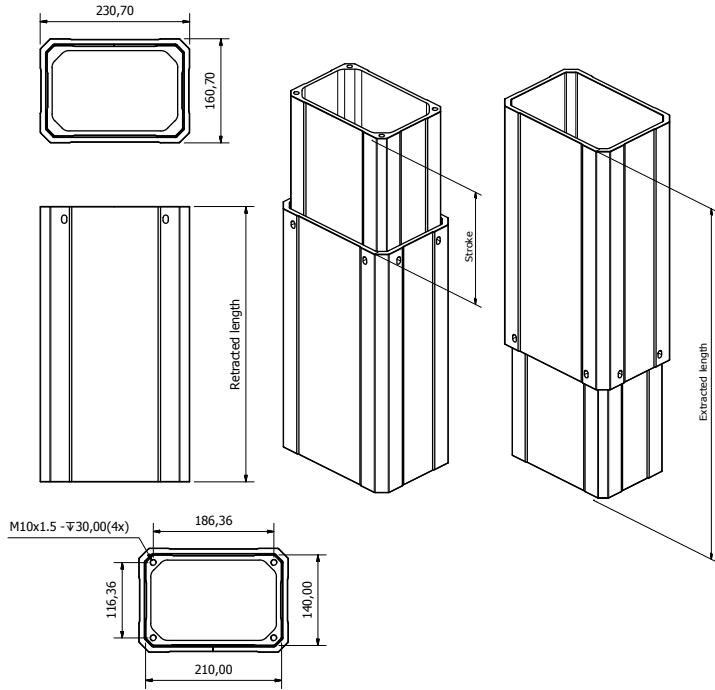
Lifting column Xtreme is designed for medical, ergonomic and industrial application. Xtreme is built on Xtreme stiff aluminium tubes and long life pads, combined with a very tight tolerance assembly – where others squeeze – we fit. The columns perform a Xtreme stable, reliable and maintenance free guiding system without any play. Xtreme is available in push or pull version. As an option you can get Xtreme with encoder for positioning or parallel run of 2 columns. If you don't find a column in above standard range we can customize for you.



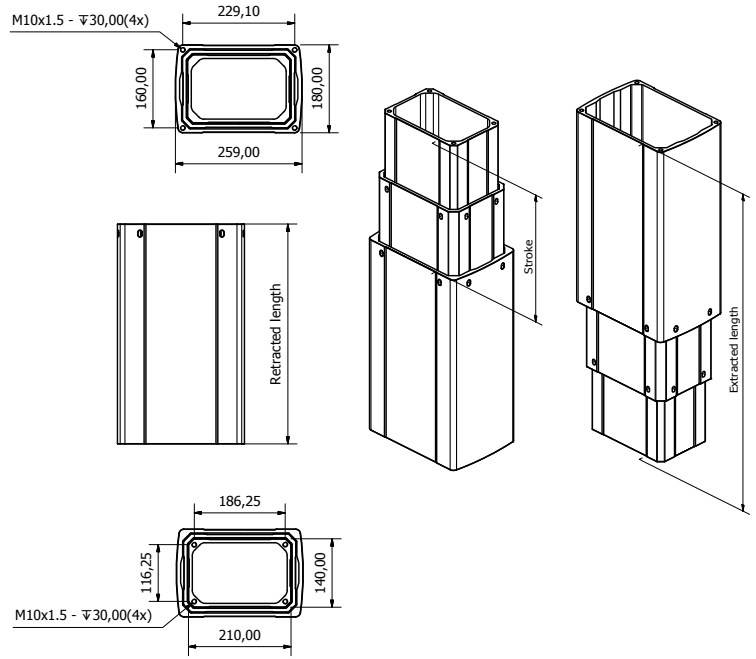
Technical data	SX-XE	SX-XB	SX-XA
Force* (push or pull) max	4000 N	7000 N	10.000 N
Speed, 0-max load; mm/s	21-16	12-8	10-6,5
Stroke	From 200 mm upp to 500 mm		
Retracted length, 2-section	2-sections = stroke + 200 mm		
Retracted length, 3-section	3-sections = stroke + 200 mm		
Voltage	24VDC		
Current, 0 to max load	2-13A depending on load		
Duty cycle, on / off	1 min on / 9 min off		
Ambient temperature	+10 / +40 °C		
Degree of protection	IP30		

\* See offset load diagram on next page

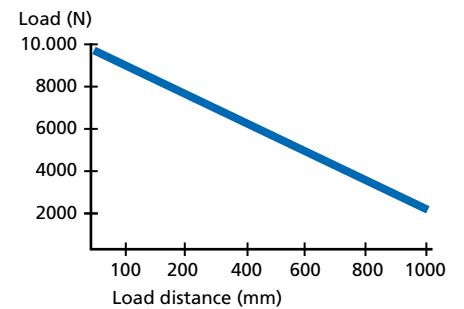
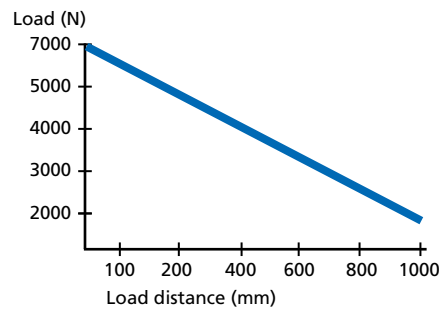
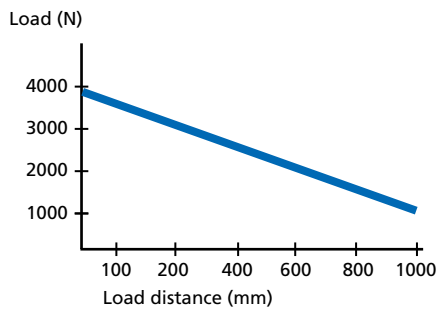
## 2-sections column



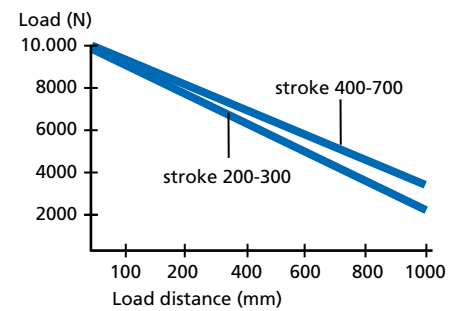
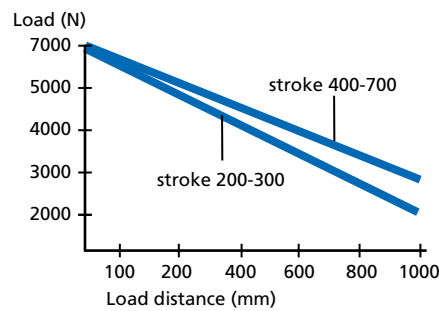
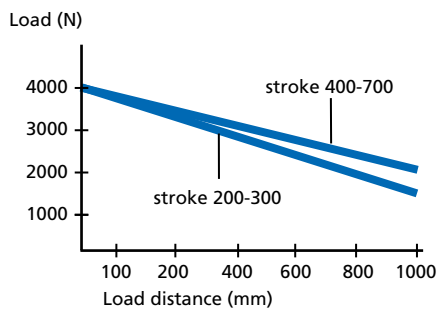
## 3-sections column



## Offset load diagram 2-sections column



## Offset load diagram 3-sections column



technology

X2 Technology AB | Uttervägen 6 | S-352 45 Växjö | Sweden | Tel: +46 470 717950  
Fax: +46 470 717951 | info@X2technology.se | www.X2technology.se

Information regarding installation is available in the operation manual. Lifetime and suitability are depending on application and must therefore be tested by each user. Specifications subject to change without prior notice. Copyright X2 Technology 1111