

Lifting column SF

Features:

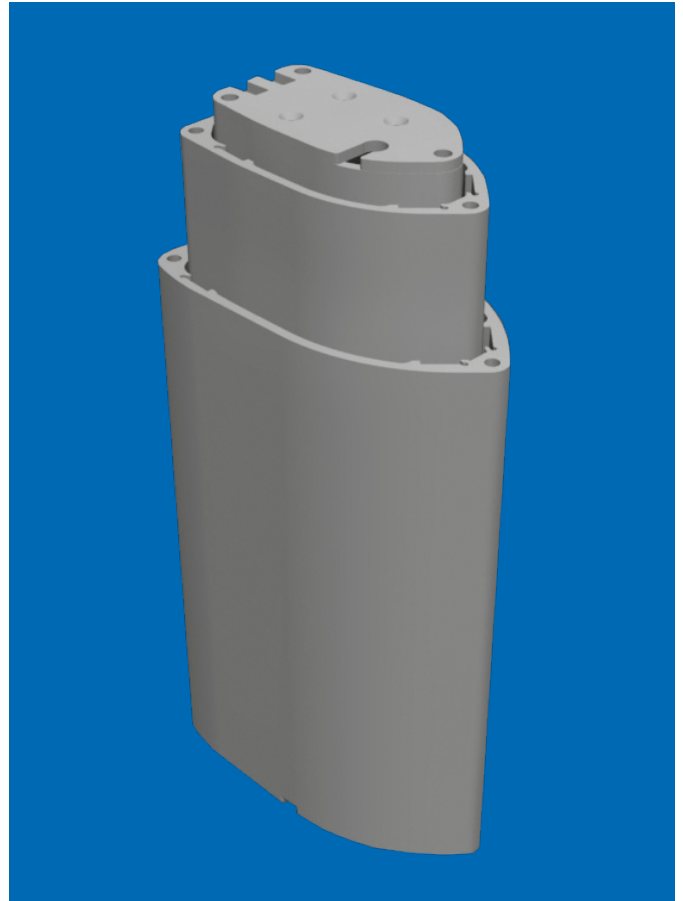
Stiff
Short retracted length
Safety factor >2,5
Limit switches

Options:

Safety nut
Encoder
Customized

Description:

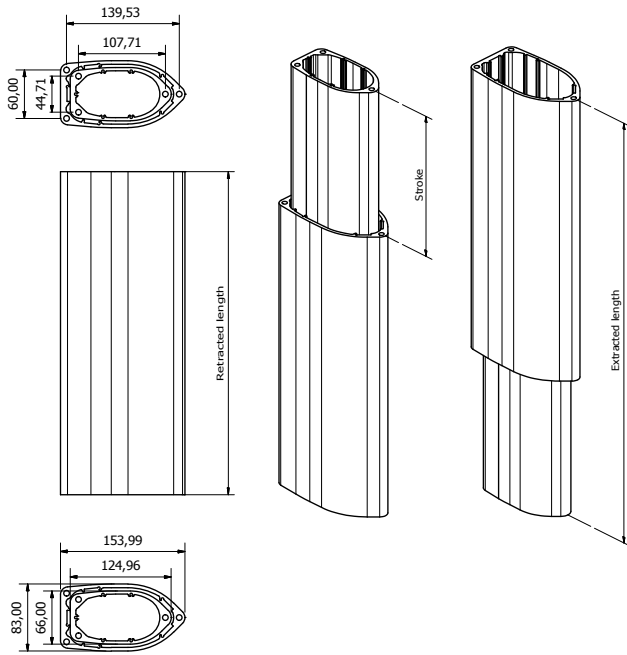
Lifting column SF are designed for medical, ergonomical and industrial application. SF-column is built on aluminium tubes and long life pads. The columns perform a stable, reliable and maintenance free guiding system. SF is available in push. As an option you can get SF with encoder for positioning or parallel run of 2 or more columns. If you don't find a column in above standard range we can customize for you.



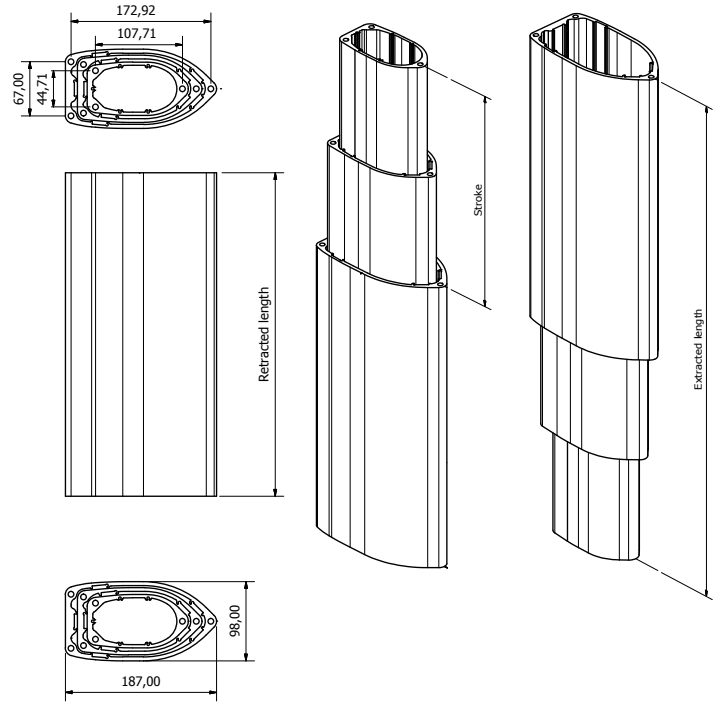
Technical data	SF-BF	SF-BD	SF-BE
Force* (push or pull) max	1200 N	1800 N	2200 N
Speed, 0-max load (@24V)	30-20 mm/s	19-14 mm/s	12-8 mm/s
Stroke	From 200 mm up to 700 mm		
Retracted length, 2-section	2-sections = stroke + 200 mm		
Retracted length, 3-section	3-sections = stroke + 60mm		
Voltage	24VDC		
Current, 0 to max load	1,5-6A depending on load		
Duty cycle, on / off	1min on / 9 min off		
Ambient temperature	+10 / +40 °C		
Degree of protection	IP30		

* See offset load diagram on next page

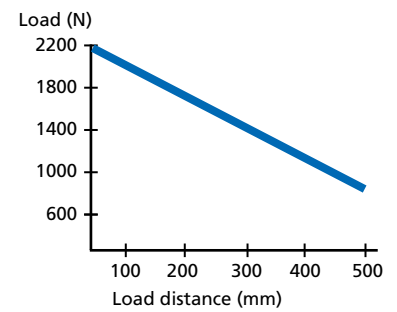
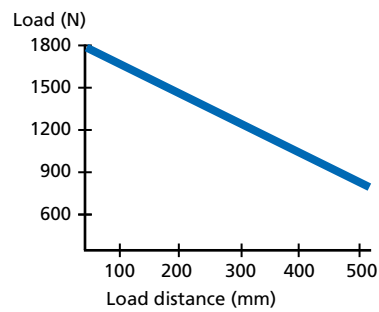
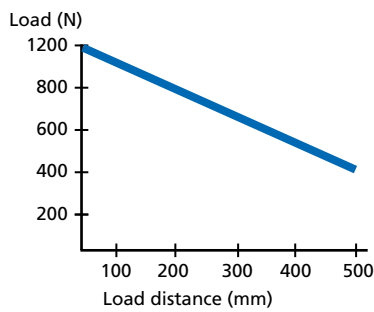
2-sections column



3-sections column



Offset load diagram 2-sections column



Offset load diagram 3-sections column

