

Lifting column S-type

Features:

Extremely stable
Great offset load
Long life time
Low noise level

Options:

Safety nut
Potentiometer or encoder
Customise

Description:

Lifting column S-type are designed for medical, ergonomical and industrial application. S-type is built on X2s extremely stiff aluminium tubes and long life pads, combined with a very tight tolerance assembly - where others squeeze - we fit. The columns perform a stable, reliable and maintenance free guiding system without any play.

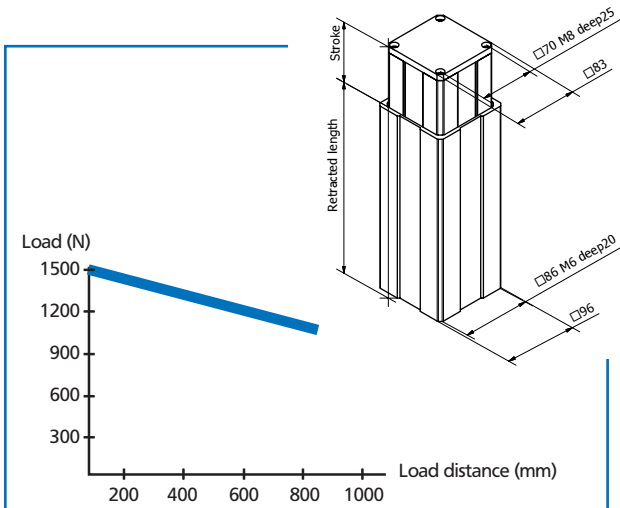
S-type is available in push or pull version. As an option you can get S-type with potentiometer or encoder for positioning or parallel run of 2 or more columns. If you don't find a column in above standard range we can customise for you.



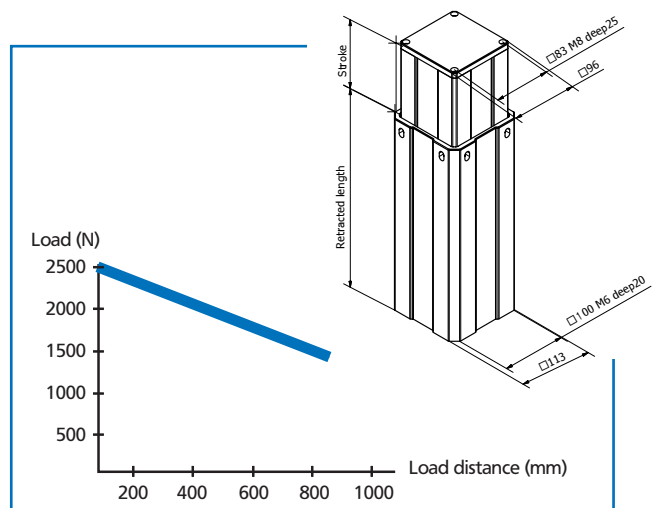
Technical data (unit)	S-B56	S-B46	S-A45	S-A46	S-O23	S-O13	S-M23	S-M13
Force*, push or pull max (N)	1500	1500	2500	2500	4000	4000	4000	4000
Speed, 0 to max load (mm/s)	15-10	15-10	14-10	14-10	25-15	25-15	50-10	50-10
Stroke (mm)	200-700	200-700	200-700	200-700	200-700	200-700	200-700	200-700
Retracted height (mm)	380-880	280-780	380-880	280-780	380-880	280-780	380-880	280-780
Voltage (VDC)	24	24	24	24	24	24	24	24
Current, 0 to max load (A)	1 - 4	1 - 4	2 - 6	2 - 6	2 - 8	2 - 8	3 - 12	3 - 12
Duty cycle, on/off (Int.)	1 min/9 min	1 min/9 min	1 min/9 min	1 min/9 min	1 min/9 min	1 min/9 min	1 min/9 min	1 min/9 min
Ambient temperature (°C)	+10 / +40	+10 / +40	+10 / +40	+10 / +40	+10 / +40	+10 / +40	+10 / +40	+10 / +40
Degree of protection (IP)	30	30	30	30	30	30	30	30
Number of sections	2	3	2	3	2	3	2	3

*See offset load diagram on next page

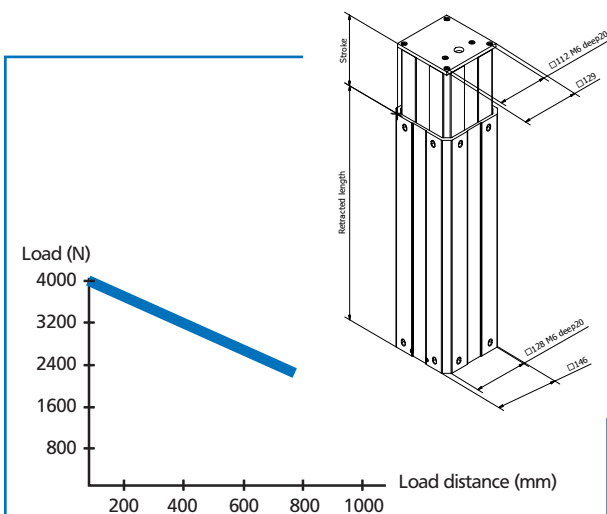




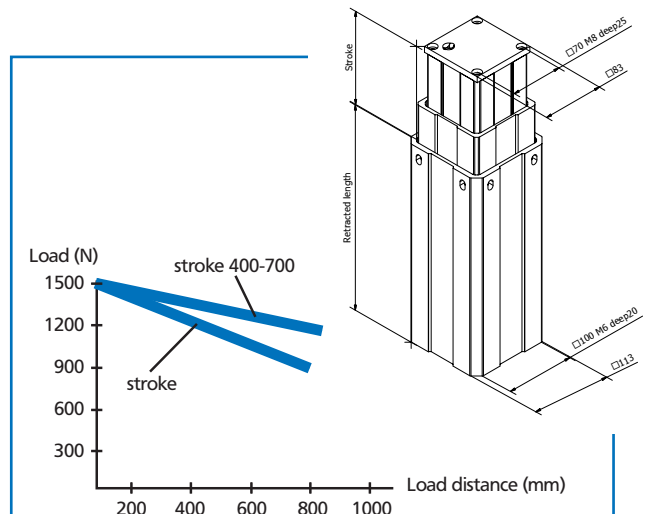
Offset load diagram: S-B56



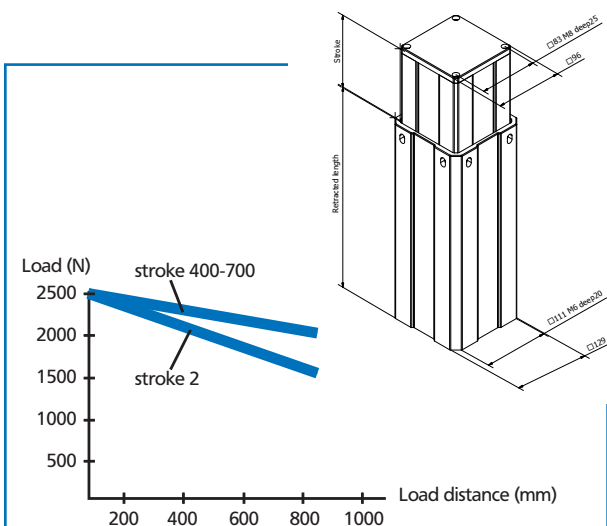
Offset load diagram: S-A45



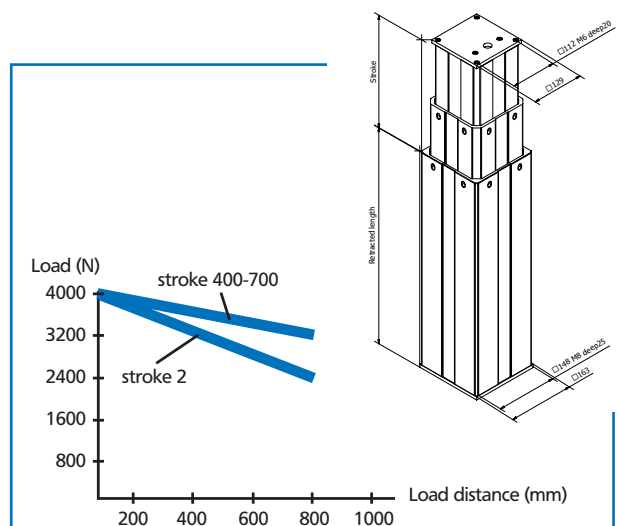
Offset load diagram: S-O23 / S-M23



Offset load diagram: S-B46



Offset load diagram: S-A46



Offset load diagram: S-O13 / S-M13